

RCBS®

R.A.S.S. Transport Bags



PRODUCT INSTRUCTIONS
LIMITED WARRANTY

Your R.A.S.S. Transport Bag is warranted to be free from defects in material or workmanship for two years from the date of purchase. This warranty is extended only to the original consumer purchaser. All RCBS products are intended for non-commercial use by hobbyists. Any other use of these products will void the warranty. Should you believe that R.A.S.S. Transport Bag is defective in material or workmanship, you must return the R.A.S.S. Transport Bag to Ammunition Accessories Inc. through its Oroville operation (hereinafter "Oroville Operations") postage paid for evaluation. If defective, the product will be repaired or replaced at Oroville Operations' option, at no charge.

Send a dated proof of purchase to Oroville Operations for return shipping and handling, along with the Transport Bags to:

Ammunition Accessories Inc., Oroville Operations
605 Oro Dam Blvd East
Oroville, California 95965

Warranty services cannot be provided without meeting the above requirements.

TO ENSURE ACCURACY OF YOUR WARRANTY INFORMATION, SEND YOUR WARRANTY CARD TO:

Ammunition Accessories Inc., Oroville Operations
605 Oro Dam Blvd East
Oroville, California 95965

THIS TWO YEAR LIMITED WARRANTY DOES NOT COVER DEFECTS OR DAMAGE RESULTING FROM: CARELESSNESS, MISUSE, COMMERCIAL USE, ABUSE, IMPROPER INSTALLATION, MODIFICATION, OR NORMAL WEAR AND TEAR. THE IMPLIED WARRANTIES OF MERCHANTABILITY AND FITNESS FOR A PARTICULAR PURPOSE ARE LIMITED TO THE DURATION OF THIS TWO YEAR LIMITED WARRANTY. OROVILLE OPERATIONS IS NOT LIABLE FOR DAMAGES IN EXCESS OF THE PURCHASE PRICE OF THE PRODUCT AND UNDER NO CIRCUMSTANCES SHALL OROVILLE OPERATIONS BE LIABLE FOR CONSEQUENTIAL OR INCIDENTAL DAMAGES. HOWEVER, SOME STATES DO NOT ALLOW LIMITATIONS ON INCIDENTAL, OR CONSEQUENTIAL DAMAGES, SO THE ABOVE LIMITATION OR EXCLUSION MAY NOT APPLY TO YOU.

The above warranty provides the sole and exclusive warranty available to the customer in the event of a defect in material or workmanship in the R.A.S.S. Transport Bag. This warranty gives you specific legal rights, and you may also have other rights which vary from State to State.

SAVE THESE INSTRUCTIONS

INTRODUCTION

The RCBS R.A.S.S. Transport Bag has been designed specifically to securely store and transport your RCBS R.A.S.S. Bench. Features include: shoulder/carry straps, placement outlines, tie down straps and storage pockets. A heavy plastic liner provides impact resistance to protect your R.A.S.S. Bench.

ASSEMBLY INSTRUCTIONS

After unpacking the Transport Bags, set the Hub bag on the floor, separate the hook and loop closure to allow insertion of the plastic divider. The wider part of the divider goes to the bottom of the bag. Insert the plastic divider and re-secure the hook and loop closure.



TO USE

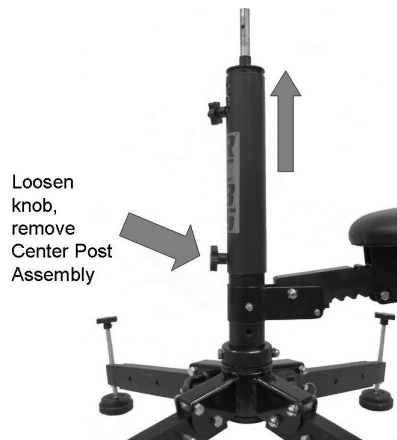
The Transport Bags have been designed to redistribute the weight of your R.A.S.S. Bench for ease of transport and storage.

Remove the Ammo Tray from the Rifle Platform.

Loosen the Spud Handle on the Rifle Platform and remove the Platform from the Center Post Assembly.



Loosen the Knob on the Hub and remove the Center Post Assembly.



The Leg Extensions must be removed from the Main Support Legs. Remove the Quick Pins and slide out the Leg Extensions and set aside. Replace Quick pins into the Legs attached to the Hub.



Orient the Seat to be 90° from the Carry Handle on the Hub. Fold the Seat Bar down and lift the handle to allow the legs to fold down.



Place the Lower Bag on the floor. Loosen the two side Cinch Straps or disconnect the buckles. Fold out the top edge of bag and the top flap. Lift up the Hub assembly and guide the legs into the bag. The Seat should be oriented in between the shoulder straps.



Fold over the top flap and tighten the draw cord to close the Lower Bag. Connect the buckles and tighten the Cinch Straps.



The Upper Transport Bag has outlines for the proper placement of your R.A.S.S. Bench parts. Refer to the photo for placement of the parts.

Two Leg Extensions will be stacked together and secured with two straps per pair. The Rifle Platform will be secured with four straps. The Center Post Assembly is secured with three straps. The ammo Tray is stored in one of the outer pockets.



The large pocket in the center of the Upper Bag is for storage of the optional Utility Tray. This pocket also acts as a divider to separate the parts in the right and left sides when the bag is closed.

Fold in the two end flaps.

Bring the two handles together to close the bag. Secure the five straps to close the bag.



R.A.S.S. Bench packed into Transport Bags.



LOW BACK SEAT owners

For Low Back Seat owners, the Low Back Seat must be removed from the Seat Bar Assembly. Remove the Low Back Seat and

set aside. Remove the Quick Pin from the Seat Bar and fold the bar down. Reinstall the Quick Pin.

Follow the above directions for inserting the Hub Assembly into the Lower Transport Bag.

Attach the Low Back Seat to the side opposite the shoulder straps of the Lower Transport Bag. Use the provided rings and cord or bungees (not included).



DETACH AND PLACE IN ENVELOPE

Complete all sections

Mail to:

RCBS Operation
605 Oro Dam Blvd. East
Oroville, CA 95965

1. Where
Purchased: _____

2. Name: Mr/Ms. _____

3. Street Address: _____

4. City, State, ZIP: _____

5. Product Purchased: _____ **9325 Transport Bags** _____

6. Date Purchased: _____

Copy of Register Receipt Enclosed



PRECISIONEERED SHOOTING PRODUCTS

We think that we make the very best shooting and reloading equipment in the world.

If you agree, please tell your friends.

If you disagree, tell us - we want to do something about it!

Customer Service

1-800-533-5000 (US or Canada) or 530-533-5191

Hours: Monday - Thursday, 6:30am - 3:00pm Pacific Time
(hours may vary)

e-mail: rcbs.tech@atk.com or visit our website at www.rcbs.com

RCBS 605 Oro Dam Blvd. East, Oroville, CA 95965

0408

ALLIANT POWDER - CHAMPION - GUNSLICK - INTENSITY - NITREX
OUTERS - RAM-LINE - RCBS - SHOOTERS RIDGE - WEAVER